

SafeGarment Survey Guide
www.safegarment.com

SafeGarmentTM

Getting Started

Take a few minutes to complete this store survey. Your time now ensures that your boutique looks great and is secure. To begin you need your store number, a store floor plan (if you have one) and a tape measure. Remember to measure twice . . .

Place a shelf standard bracket from your boutique over the drawings below, and check the corresponding box to complete this step of the survey.



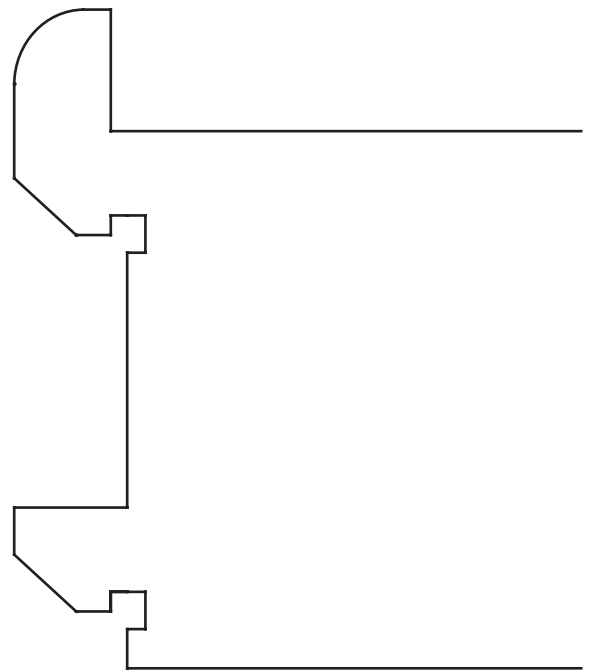
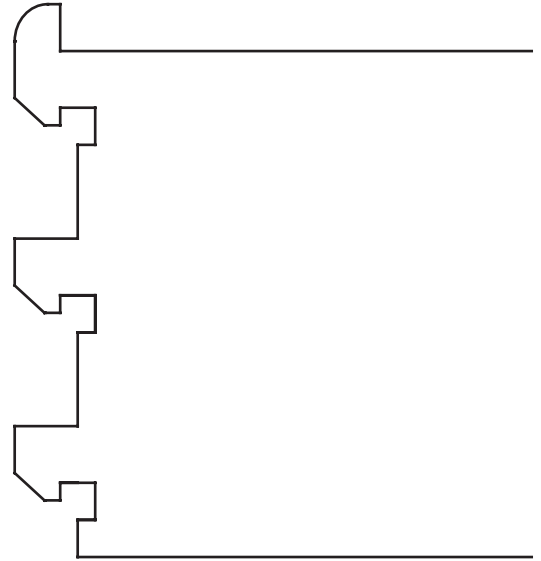
BRACKET TYPE 1

1/2" by 1" on center shelf standard



BRACKET TYPE 2

1" by 2" on center shelf standard



Wall Display Survey

These are options for wall mounted display systems. Measure your boutique's walls that hold product, i.e. bay openings and flat walls. Record the number of display walls for each size range in the boxes. Keep track of your measurements on your store's floor plan. The last page of this document is a grid you can use to map out your store's floor plan, if you don't have one.

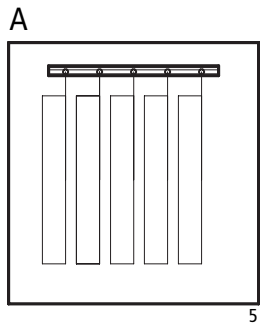
Note:

If the wall you are surveying does not have shelf standards, if the standard does not go below waist height, *or* if the display wall is curved, measure and record your results in the '*without shelf standards*' box. If you have questions we can assist you with the solution.

help@safegarment.com

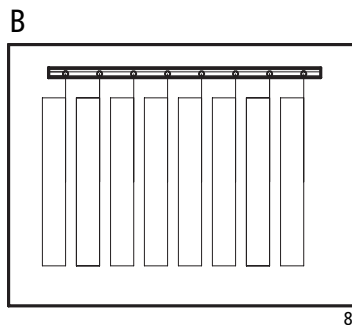
31" to 39" wall
with shelf standards

without shelf standards



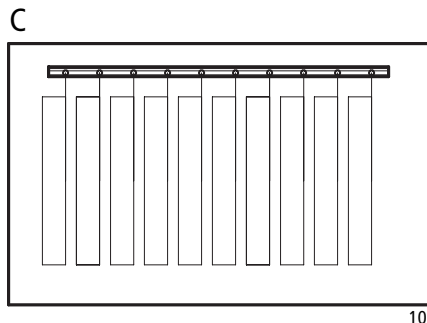
40" to 51" wall
with shelf standards

without shelf standards



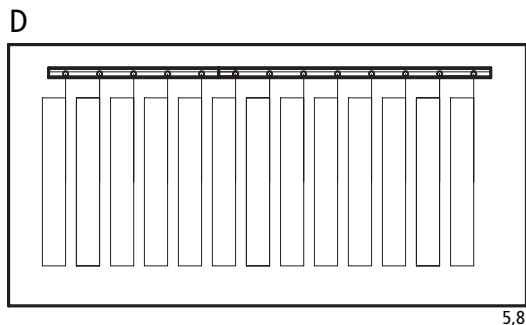
52" to 60" wall
with shelf standards

without shelf standards



61" to 73" wall
with shelf standards

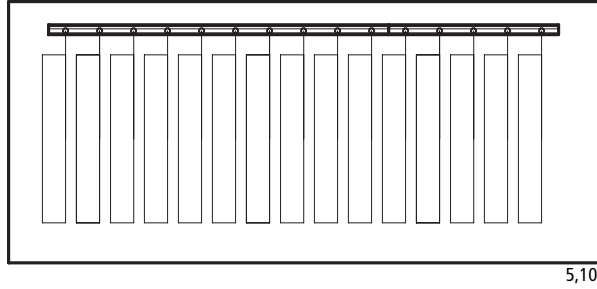
without shelf standards



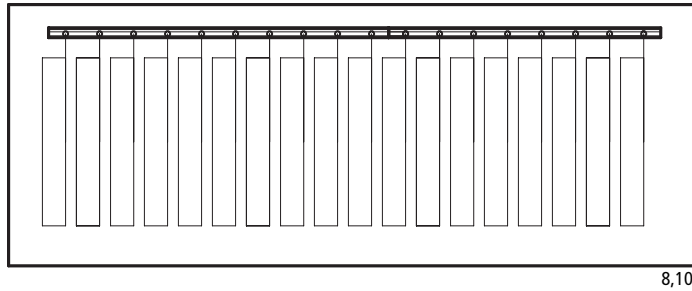
73" to 82" wall
with shelf standards

without shelf standards

E



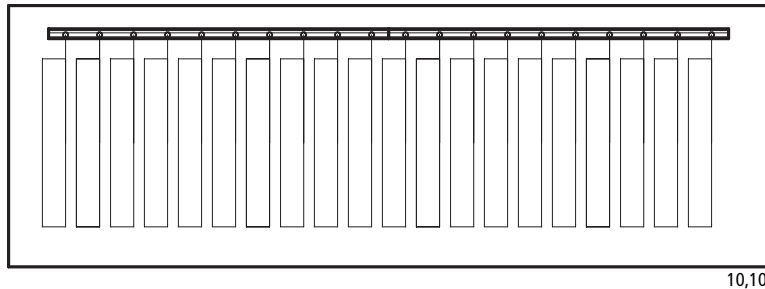
F



83" to 94" wall
with shelf standards

without shelf standards

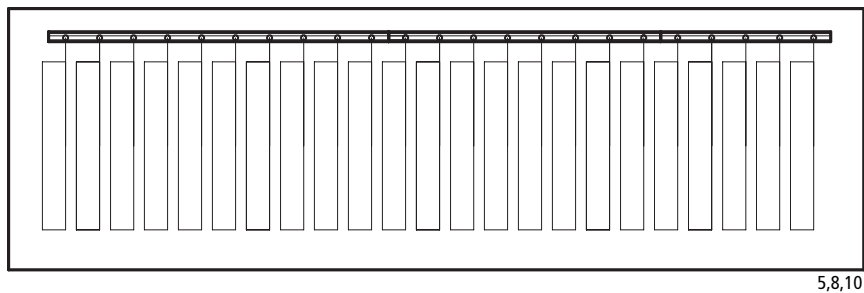
G



95" to 103" wall
with shelf standards

without shelf standards

H

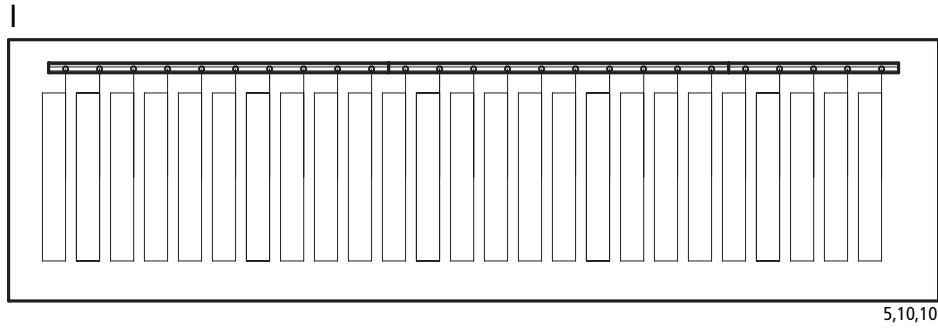


104" to 115" wall
with shelf standards

without shelf standards

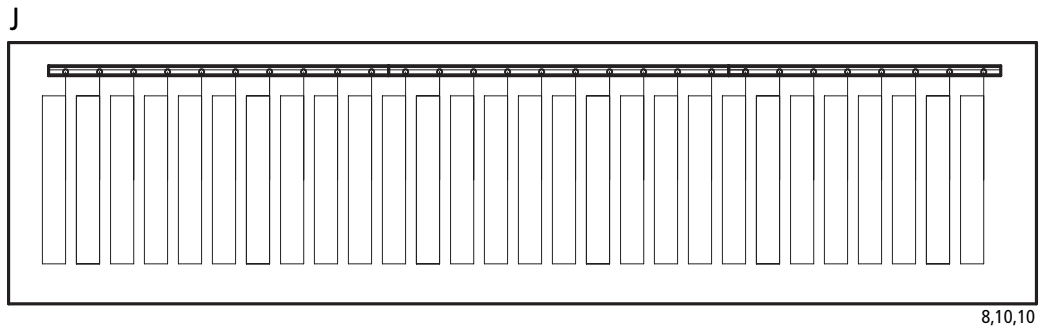
116" to 124" wall
with shelf standards

without shelf standards



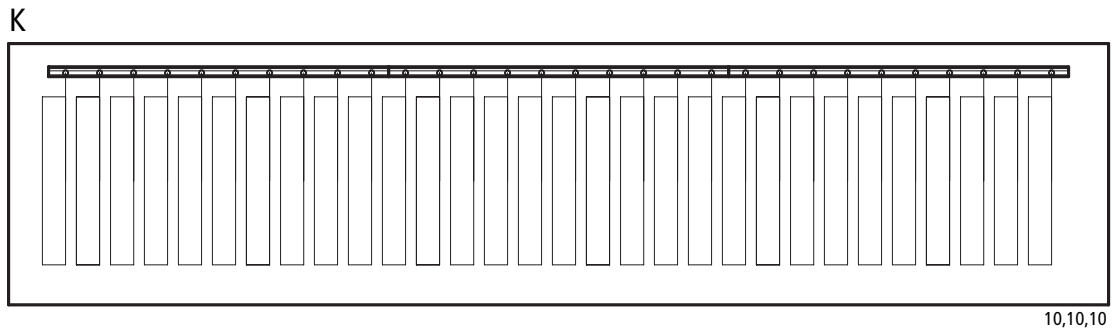
125" to 136" wall
with shelf standards

without shelf standards



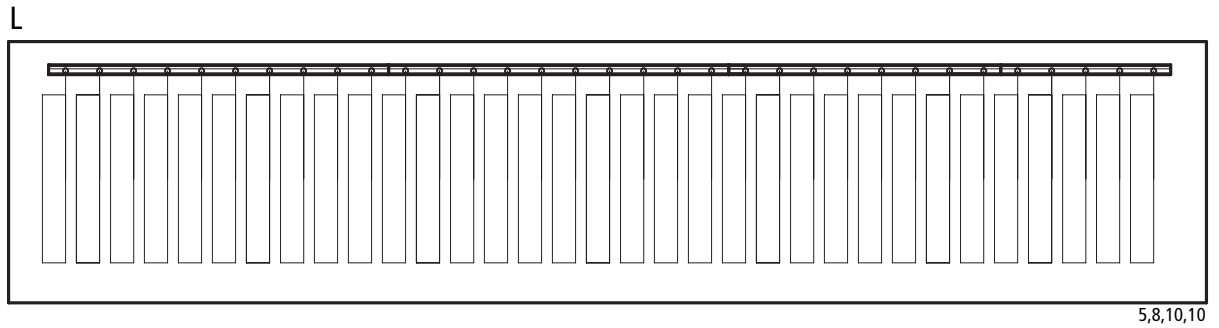
137" to 145" wall
with shelf standards

without shelf standards



146" to 158" wall
with shelf standards

without shelf standards



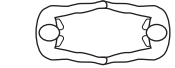
Floor Display Survey

Now that the walls are accounted for, move on to the floor displays. Using your floor plan and tape measure select the display combinations that best fit your store. You can estimate the size of each display by forming rings of 2, 3 or 4 people as shown in the illustrations.

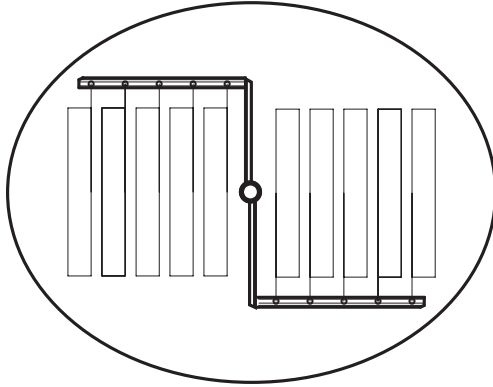
If you have questions we can assist you with the solution.

help@safegarment.com

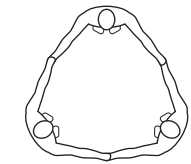
3' x 4' footprint



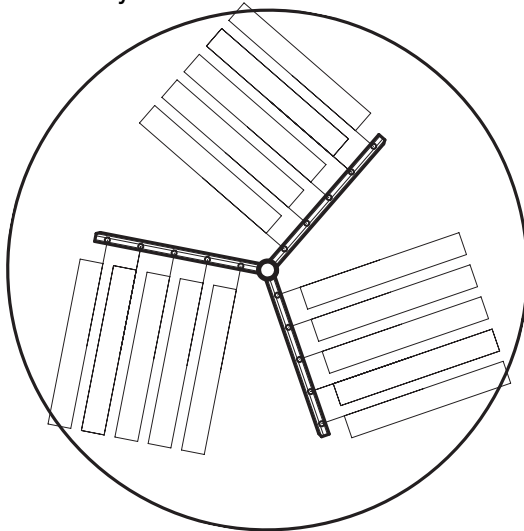
2 Way



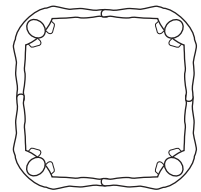
4' x 4' footprint



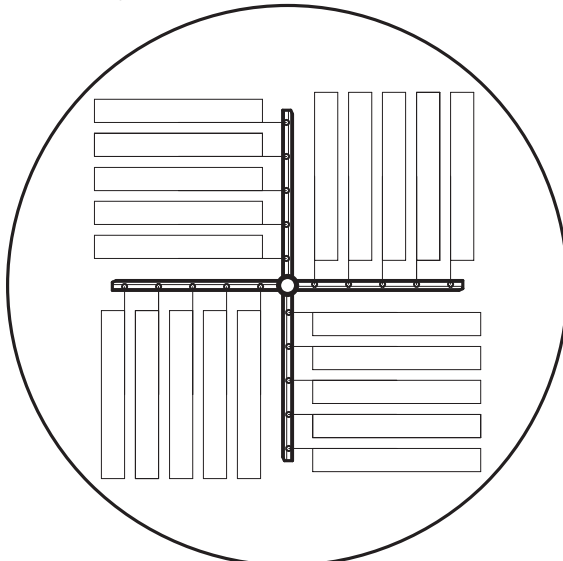
3 Way



5' x 5' footprint

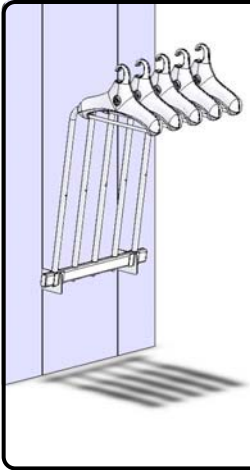


4 Way

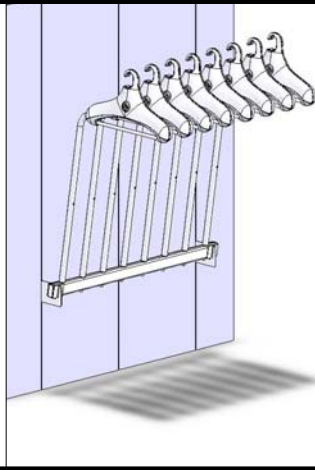


Finishing Up

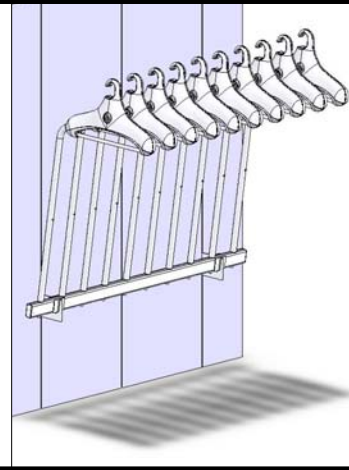
Thank you for taking time to complete this survey. Please make a copy for your records and send a completed survey to your SafeGarment sales contact. Make sure your store number is on every page.



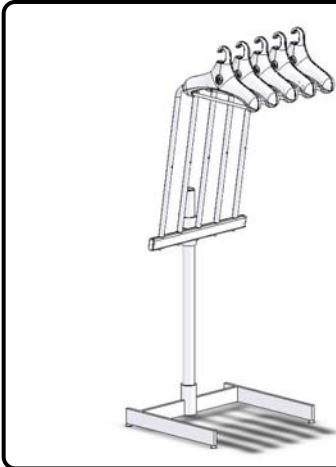
SG300-5
5 Rod Wall-mounted Display
=5 Hangers



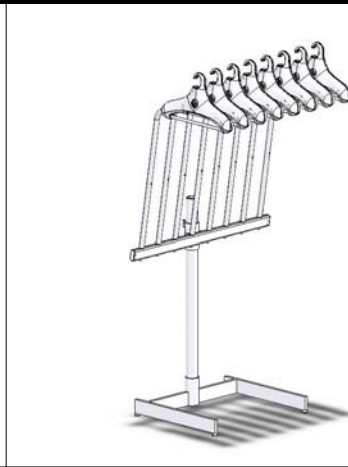
SG300-8
8 Rod Wall-mounted Display
=8 Hangers



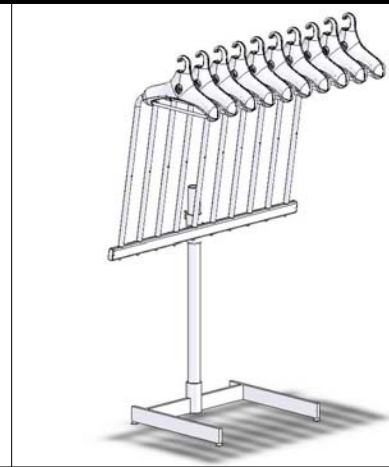
SG300-10
10 Rod Wall-mounted Display
=10 Hangers



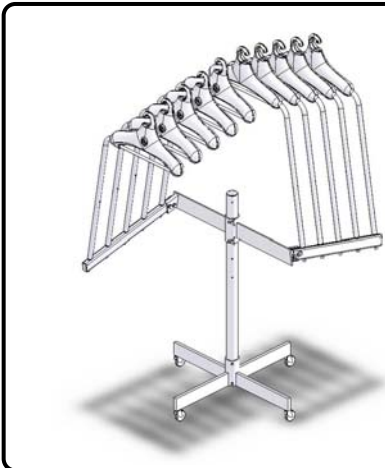
SG200-5
5 Rod Standing Wall Display
=5 Hangers



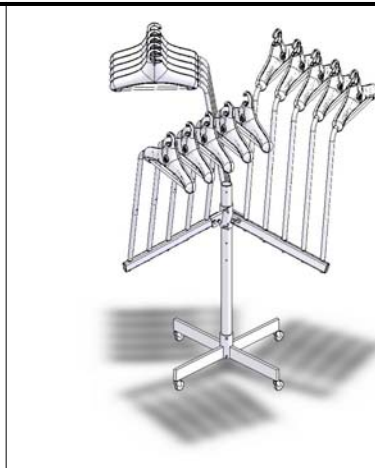
SG200-8
8 Rod Standing Wall Display
=8 Hangers



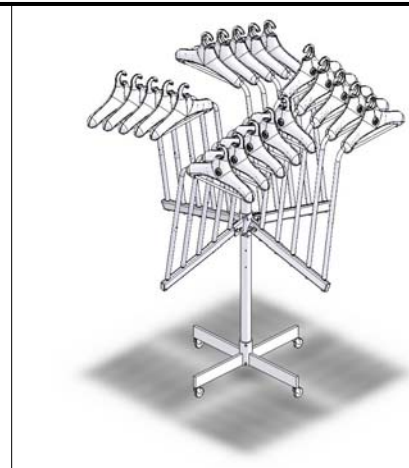
SG200-10
10 Rod Standing Wall Display
=10 Hangers



SG100-2
2-way Free-standing Display
=10 Hangers



SG100-3
3-way Free-standing Display
=15 Hangers



SG100-4
4-way Free-standing Display
=20 Hangers

Tip – Avoid running out of room on this floor plan by measuring the overall length and width of your boutique first.

